



ON Semiconductor®

<http://onsemi.com>

# LV8549MC

## Bi-CMOS integrated circuit 12V Low Saturation Voltage Drive Stepping Motor Driver

### Overview

The LV8549MC is a 2-channel low saturation voltage forward/reverse motor driver IC. It is optimal for Full step motor drive in 12V system products.

### Functions

- DMOS output transistor adoption (Upper and lower total  $R_{ON}=1\Omega$  typ)
- The compact package (SOIC10) is adopted.
- $V_{CC\ max}=20V$ ,  $I_O\ max=1A$
- For one power supply (The control system power supply is unnecessary.)
- Current consumption 0 when standing by

### Specifications

#### Absolute Maximum Ratings at $T_a = 25^\circ C$

Parameter	Symbol	Conditions	Ratings	Unit
Maximum power supply voltage	$V_{CC\ max}$		-0.3 to +20	V
Output impression voltage	$V_{OUT}$		-0.3 to +20	V
Input impression voltage	$V_{IN}$		-0.3 to +6	V
GND pin outflow current	$I_{GND}$	For ch	1.0	A
Allowable Power dissipation	$P_d\ max$	*	1.0	W
Operating temperature	$T_{opr}$		-30 to +85	$^\circ C$
Storage temperature	$T_{stg}$		-40 to +150	$^\circ C$

\*: When mounted on the specified printed circuit board (57.0mm × 57.0mm × 1.6mm), glass epoxy, both sides

Caution 1) Absolute maximum ratings represent the value which cannot be exceeded for any length of time.

Caution 2) Even when the device is used within the range of absolute maximum ratings, as a result of continuous usage under high temperature, high current, high voltage, or drastic temperature change, the reliability of the IC may be degraded. Please contact us for the further details.

Stresses exceeding Maximum Ratings may damage the device. Maximum Ratings are stress ratings only. Functional operation above the Recommended Operating Conditions is not implied. Extended exposure to stresses above the Recommended Operating Conditions may affect device reliability.

#### Recommendation Operating Conditions at $T_a = 25^\circ C$

Parameter	Symbol	Conditions	Ratings	Unit
Power supply voltage	$V_{CC}$		4.0 to 16	V
Input "H" level voltage	$V_{INH}$		+1.8 to +5.5	V
Input "L" level voltage	$V_{INL}$		-0.3 to +0.7	V

# LV8549MC

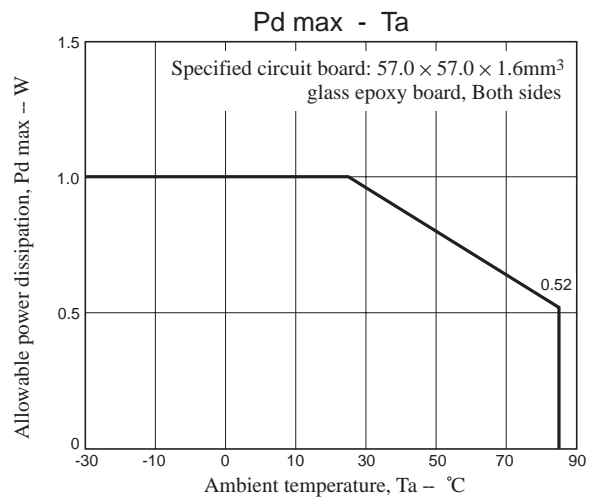
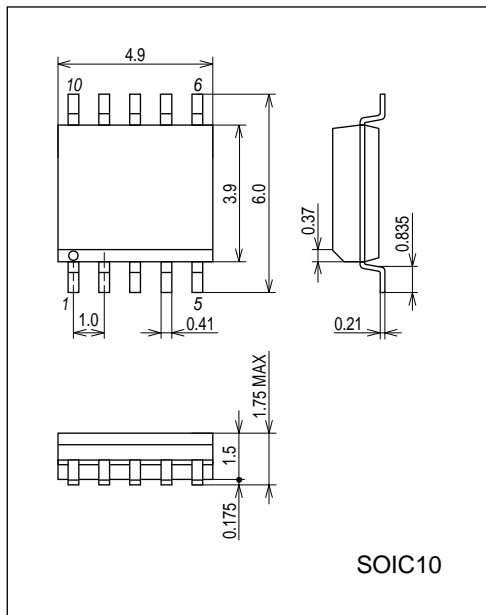
**Electrical Characteristics** at Ta = 25°C, VCC = 12V

Parameter	Symbol	Conditions	Ratings			Unit
			min	typ	max	
Power supply voltage	I <sub>CC0</sub>	Standby mode ENA=L			1	μA
	I <sub>CC1</sub>	ENA=H		1.7	2.3	mA
Input current	I <sub>IN</sub>	V <sub>IN</sub> =5V	30	50	65	μA
Thermal shutdown operating temperature	T <sub>tsd</sub>	Design certification	150	180	210	°C
Width of temperature hysteresis	ΔT <sub>tsd</sub>	Design certification		40		°C
Low voltage protection function operation voltage	V <sub>th</sub> V <sub>CC</sub>		3.3	3.5	3.65	V
Release voltage	V <sub>thret</sub>		3.55	3.8	3.95	V
Output ON resistance (Upper and lower total)	R <sub>ON</sub>	I <sub>O</sub> UT=1.0A	0.7	1	1.25	Ω
Output leak current	I <sub>O</sub> leak	V <sub>O</sub> =16V			10	μA
Diode forward voltage	V <sub>D</sub>	I <sub>D</sub> =1.0A		1.0	1.2	V

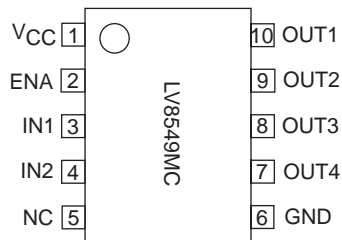
## Package Dimensions

unit : mm (typ)

3426A

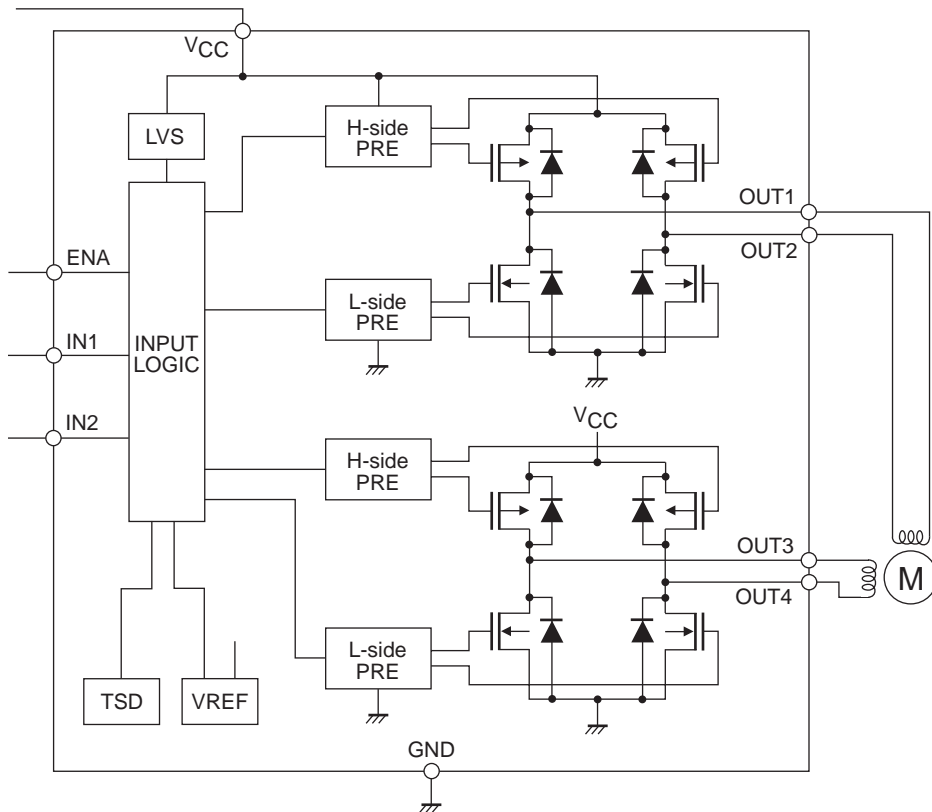


## Pin Assignment



# LV8549MC

## Block Diagram



## Pin function

Pin No.	Pin name	Pin function	Equivalent Circuit
1	VCC	Power-supply voltage pin. V <sub>CC</sub> voltage is impressed. The permissible operation voltage is from 4.0 to 16.0(V). The capacitor is connected for stabilization for GND pin (6pin).	
2	ENA	Motor drive control input pin. It shifts from the stand-by state to a prescribed output operation corresponding to the state of the input when the ENA pin becomes a standby mode by L, the circuit current can be adjusted to 0, and it makes it to H. It is a digital input, and the range of L level input is 0 to 0.7(V) and the range of H level input are 1.8 to 5.5(V). PWM can be input. Pull-down resistance 100(kΩ) is built into in the terminal.	
3	IN1	Motor drive control input pin. Driving control input pin of OUT1 (10pin) and OUT2 (9pin). PWM can be input. With built-in pull-down resistance.	
4	IN2	Motor drive control input pin. Driving control input pin of OUT3 (8pin) and OUT4 (7pin). PWM can be input. With built-in pull-down resistance.	
5	NC		
6	GND	Ground pin.	
7	OUT4	Driving output pin. The motor coil is connected between terminal OUT3 (8pin).	
8	OUT3	Driving output pin. The motor coil is connected between terminal OUT4 (7pin).	
9	OUT2	Driving output pin. The motor coil is connected between terminal OUT1 (10pin).	
10	OUT1	Driving output pin. The motor coil is connected between terminal OUT2 (9pin).	

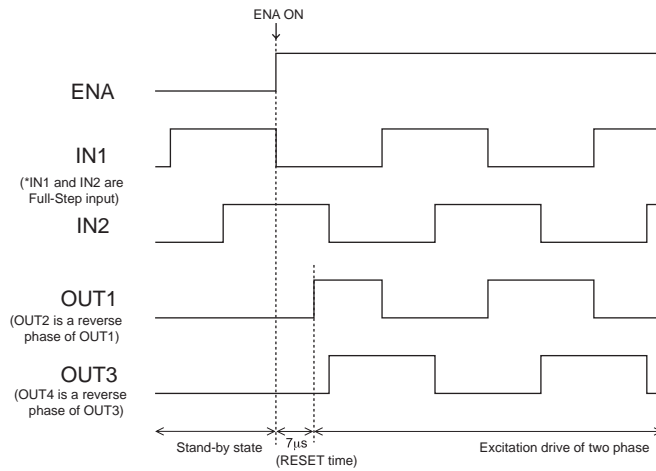
**Operation explanation**

1. STM output control logic

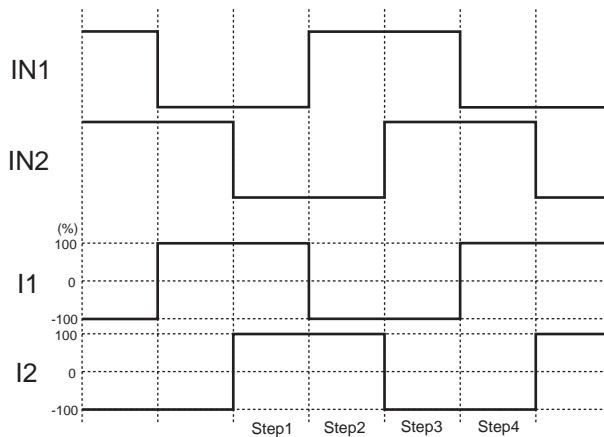
Input			Output				State
ENA	IN1	IN2	OUT1	OUT2	OUT3	OUT4	
L	-	-	OFF	OFF	OFF	OFF	Stand-by
H	L	L	H	L	H	L	Step 1
	H	L	L	H	H	L	Step2
	H	H	L	H	L	H	Step3
	L	H	H	L	L	H	Step4

2. About the switch time from the stand-by state to the state of operation

When ENA pin are "L", this IC has completely stopped operating. After the time of reset (about 7μs of an internal setting) it shifts to a prescribed output status corresponding to the state of the input when the signal enters the ENA pin.

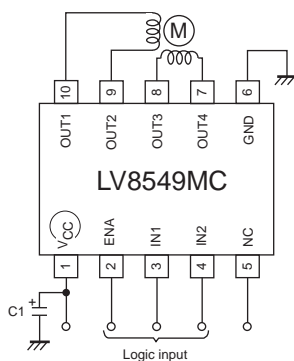


3. Example of current waveform at full-step mode.



## LV8549MC

### Applied circuit example



\* Bypass capacitor (C1) connected between VCC-GND of all examples of applied circuit recommends the electric field capacitor of 0.1 $\mu$ A to 10 $\mu$ A.

Confirm there is no problem in operation in the state of the motor load including the temperature property about the value of the capacitor.

Mount the position where the capacitor is mounted on nearest IC.

ON Semiconductor and the ON logo are registered trademarks of Semiconductor Components Industries, LLC (SCILLC). SCILLC owns the rights to a number of patents, trademarks, copyrights, trade secrets, and other intellectual property. A listing of SCILLC's product/patent coverage may be accessed at [www.onsemi.com/site/pdf/Patent-Marking.pdf](http://www.onsemi.com/site/pdf/Patent-Marking.pdf). SCILLC reserves the right to make changes without further notice to any products herein. SCILLC makes no warranty, representation or guarantee regarding the suitability of its products for any particular purpose, nor does SCILLC assume any liability arising out of the application or use of any product or circuit, and specifically disclaims any and all liability, including without limitation special, consequential or incidental damages. "Typical" parameters which may be provided in SCILLC data sheets and/or specifications can and do vary in different applications and actual performance may vary over time. All operating parameters, including "Typicals" must be validated for each customer application by customer's technical experts. SCILLC does not convey any license under its patent rights nor the rights of others. SCILLC products are not designed, intended, or authorized for use as components in systems intended for surgical implant into the body, or other applications intended to support or sustain life, or for any other application in which the failure of the SCILLC product could create a situation where personal injury or death may occur. Should Buyer purchase or use SCILLC products for any such unintended or unauthorized application, Buyer shall indemnify and hold SCILLC and its officers, employees, subsidiaries, affiliates, and distributors harmless against all claims, costs, damages, and expenses, and reasonable attorney fees arising out of, directly or indirectly, any claim of personal injury or death associated with such unintended or unauthorized use, even if such claim alleges that SCILLC was negligent regarding the design or manufacture of the part. SCILLC is an Equal Opportunity/Affirmative Action Employer. This literature is subject to all applicable copyright laws and is not for resale in any manner.